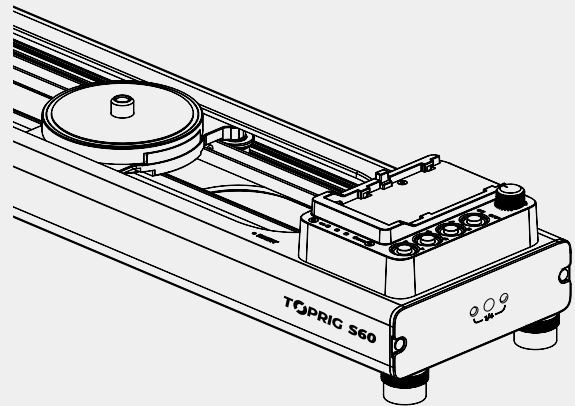


**TOPRIG**  
BY ACCSOON®



**S60**  
VIDEO SLIDER

# CONTENTS

## General Information

In the Box·····02	Overview·····02
Key Features·····04	How to Install·····05

## Functions

Power On/Off·····08	Calibration·····08
AB Point Setting·····09	Loop Mode·····10
Speed Control·····10	
Stationary Object Tracking&Panoramic Mode Setting·····10	

## APP

App Connect·····12	Calibration·····13
AB Point Setting·····13	Loop Mode·····14
Video Shooting·····14	Time-Lapse·····14
Firmware Update·····15	

<b>Specs</b> ·····16
----------------------

## Warranty ·····17

## 基本信息

装配清单·····18	主体介绍·····18
特点·····20	安装说明·····21

## 基础功能

开关机·····24	行程校准·····24
AB点设置·····25	循环模式·····26
速度调节·····26	
追焦扫描设置·····26	

## APP

App和滑轨连接·····28	行程校准·····29
AB点设置·····29	循环模式·····30
视频拍摄·····30	延时摄影·····30
固件升级·····31	<b>产品规格表</b> ·····32

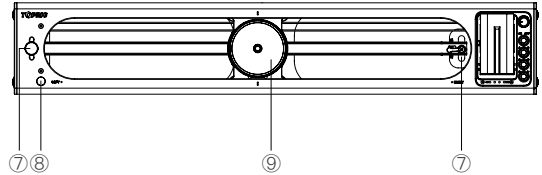
## 保修说明 ·····33

# 01 General Information

## 1.1 In the Box

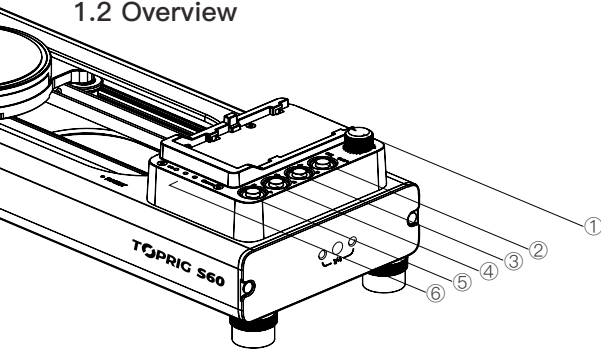


Slider × 1    Hexagon Wrench × 1    Replacement Belt × 1

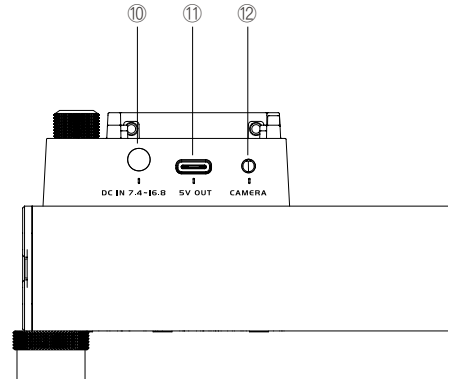


- ⑦ Panoramic Setting Knob
- ⑧ Spirit Level
- ⑨ Slider Platform

## 1.2 Overview



- ① Speed Control
- ② Power On/Off
- ③ AB Setting
- ④ Loop Mode
- ⑤ Start/Stop
- ⑥ Power Indicator



- ⑩ DC
- ⑪ 5V Output
- ⑫ Shutter Release Port



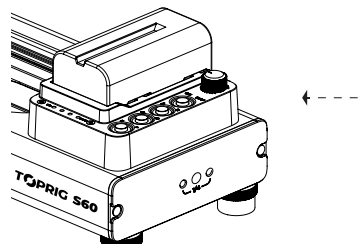
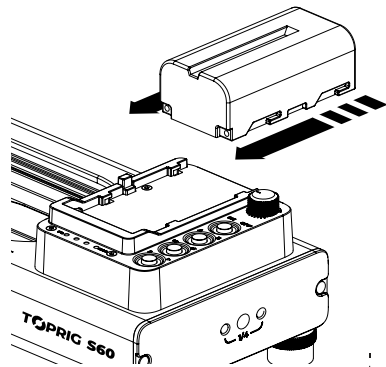
## 1.3 Key Features

- Brushless Motor
- Stable
- Adjustable Speed
- Dual-axis Camera Motions
- APP Control
- AB Point Setting
- Time-Lapse
- Silent

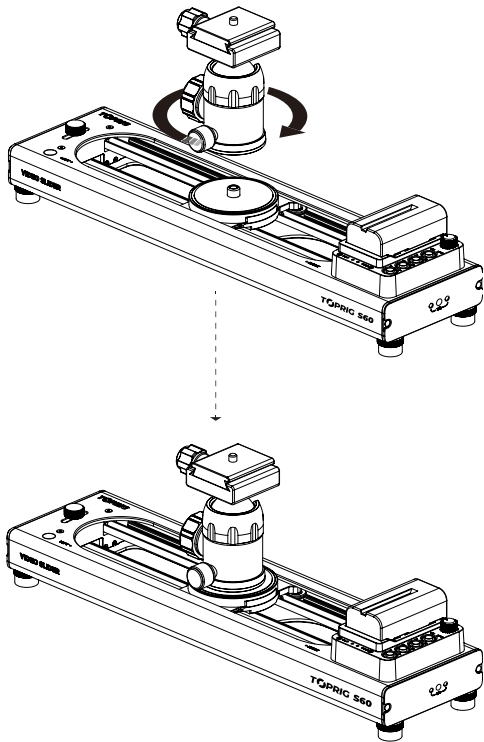
## 1.4 How to Install

Step 1 **Install battery (not included)**

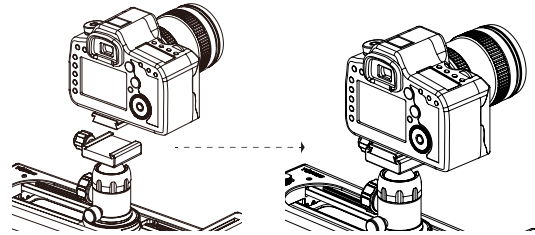
Battery compatibility: NP-F550/NP-F750/NPF 970



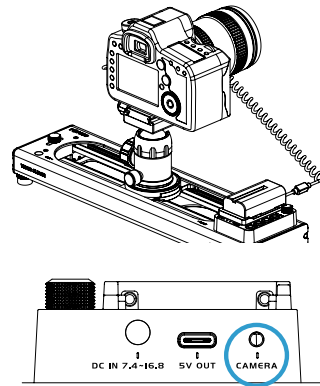
Step 2 Install the tripod ball head (not included) onto the slider



Step 3 Install the camera



Step 4 Connect the shutter extension cable (not included)



Shutter Release Port

# 02 Functions



- Speed Control
- Power On/Off
- AB Point Setting
- Loop Mode
- Start/Stop

## 2.1 Power On/Off



**Power On:** Press the power button  
**Power Off:** Press and hold the power button for 2 seconds

## 2.2 Calibration

Please calibrate the slider before use.



### How to calibrate:

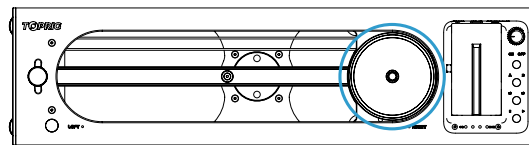
Press the Start/Stop button after powering on and the slider will automatically complete the calibration.

## 2.3 AB Point Setting

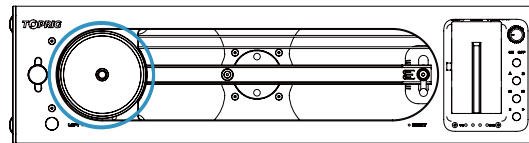
### 1. Default AB Point

The default AB point of the slider upon powering on is shown below:

A



B



### 2. Customize AB Point

- ① Move the slider to the 1st position
- ② Press the AB point setting button to set point A (indicator light A on)
- ③ Move the slider to the 2nd position
- ④ Press the AB point setting button to set point B (indicator light B on)
- ⑤ Setting complete



### 3. Cancel AB point setting

After the AB point setting is completed, press the AB point setting button again to cancel the AB point. The indicator lights A and B will both be turned off.

## 2.4 Loop Mode

Slider S60 supports Single-loop mode and Infinite-loop mode, with single-loop mode being the default mode.



**Setting:** Press the loop mode button to switch between the two modes.

## 2.5 Speed Control

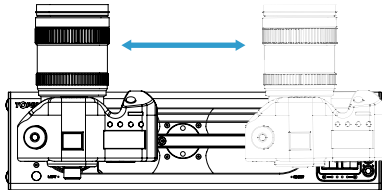
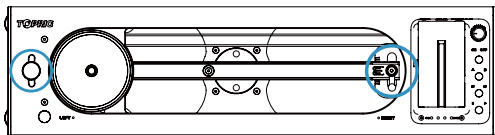


Speed control range: 0.1–5.0cm/s

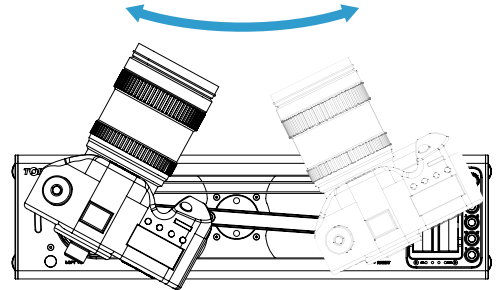
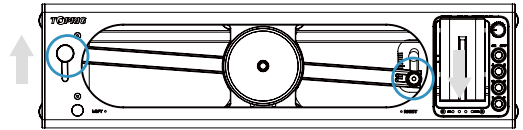
Control the speed of the slider by rotating the speed control knob.

## 2.6 Stationary Object Tracking & Panoramic Mode Setting

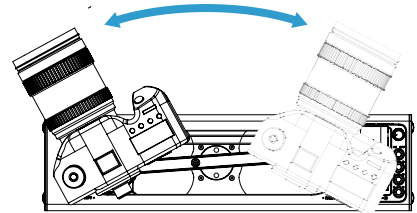
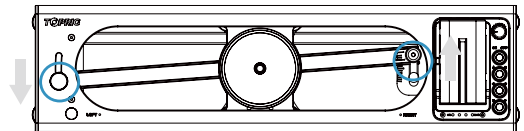
**2.6.1 Pan Shooting Mode:** Adjust the knob to the center as shown below.



**2.6.2 Focus Shooting Mode:** Adjust the knob to the upper left and lower right as shown below.



**2.6.3 Panoramic Shooting Mode:** Adjust the knob to the lower left and upper right as shown below.



# 03 App

## TopRig App Features

- Calibration
- Video Shooting
- Loop Mode
- AB Point Setting
- Time-Lapse
- Firmware Update

### 3.1 App Download

Please download the App- TopRig from Google Play Store or iOS Apple Store.

### 3.2 App Connect

TopRig App connects to Slider S60 via Bluetooth. To use the TopRig App, please enable Bluetooth on your mobile device.



#### Step 1

Open the TopRig App



#### Step 2

Tap 「Connect Device」



#### Step 3

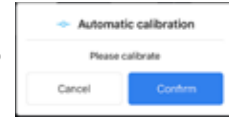
Select the device  
「Slider\_\*\*\*\*」

#### Step 4

Tap 「Confirm」



### 3.3 Calibration



#### Step 1

Tap 「Calibration」



#### Step 2

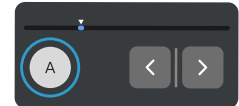
Tap 「Confirm」

The slider will automatically complete the calibration.

### 3.4 AB Point Setting

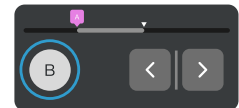
#### Set Point A

Tap the arrow button to move the slider to the 1st position  
Tap 「A」



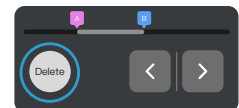
#### Set Point B

Tap the arrow button to move the slider to the 2nd position  
Tap 「B」



#### Cancel AB Point

Tap 「Delete」





## 3.5 Loop Mode

Switch the loop modes by tapping the loop button.



## 3.6 Video Shooting

**Note:** A camera control cable is needed for this function.

### Step 1

Once all parameters are set, tap 「Shoot」



### Step 2

Tap 「Start」 to start video shooting



## 3.7 Time-Lapse

**Note:** A camera shutter cable is needed for time-lapse.

Users can customize the AB point setting based on different shooting needs.

### 3.7.1 Parameter Setting

**Total Time:** Defines how long the shoot lasts. (User setting required)

**Interval Time:** Defines how long it lasts between each photo shot. Interval time must be longer than exposure time. (User setting required)



**Exposure Time:** Defines how long the slider remain stationary. Must be longer than the camera's exposure time. (User setting required)

**Frame Rate:** Defines the frame rate of the final video. (User setting required)

**Number of Shots:** The total number of photo shots for reference.

**Video Length:** The final length of the video for reference.

### 3.7.2 Start/Stop Time-lapse

**Start**



After the parameter setting, tap 「Start」.

**Stop**

Tap 「Stop」



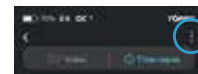
Tap 「Confirm」



## 3.8 Firmware Update

### Step 1

Tap 「:」



### Step 2

Select 「Firmware Update」



### Step 3

Tap 「Next」



# 04 Specs

Rated Voltage	7.4 –16.8V
Max.Horizontal Load	4.0kg
Max.Vertical Load	2.5kg
Max.Operating Speed	5cm/s
Stationary Object Tracking Panoramic Angle	55°
Max.Travel Distance	425mm
Power Supply	DC 9–16.8V NP-F Battery
Power Consumption	0.5W
Dimensions	610 x 106 x 71.3mm
Weight	1.5Kg

# Warranty

## 01 Warranty Period

1. If there is a quality problem that occurs within 15 days after receiving the product, TopRig will provide complimentary maintenance or replacement.
2. Under proper use and maintenance, from the date of receipt, TopRig will provide a one-year warranty on the wireless video transmission system and a three-month warranty on the accessories and cables. Free maintenance service is available during the warranty period.
3. Please keep the proof of purchase and the user manual in a safe place.

## 02 Warranty Exclusions

1. Out of warranty (If the proof of purchase is not available, the warranty will be calculated from the date the product is delivered from the factory)
2. Damage caused by use or maintenance is not following the requirements of the product manual.
3. Unauthorized repair, modification or disassembly.
4. Damage caused by force majeure such as fire, flood, lightning strike, etc.

## 03 Warranty Process

Add: Room 302, BLDG D, Zhiyuanyungu, 73 Guanlan Blvd, Longhua District, Shenzhen 518110

Tel: 0086-28-84334099