

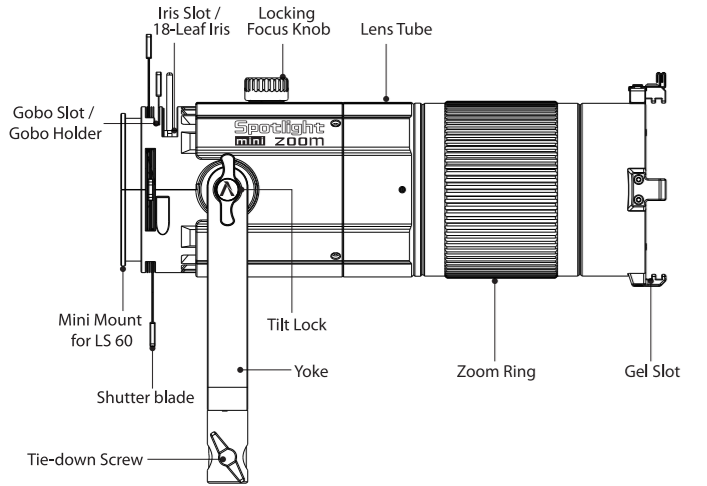
Thank you for purchasing the Spotlight Mini Zoom.

The Spotlight Mini Zoom is a new precision projection modifier designed for the Aputure LS 60 & 60x. Featuring custom-engineered optics, the Spotlight Mini Zoom transforms the focusable LED system into a projector tool with 2X optical zoom, designed for accurate lighting on any film project.

Check list

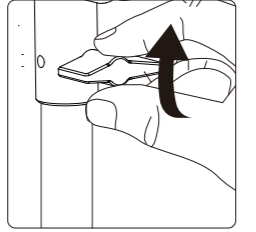
1. Spotlight Mini Zoom x1
2. Metal M-Size Gobos x15
3. M-Size Gobo Holder x1
4. 18-Leaf Iris x1
5. Carrying Case x1

Fixture Components

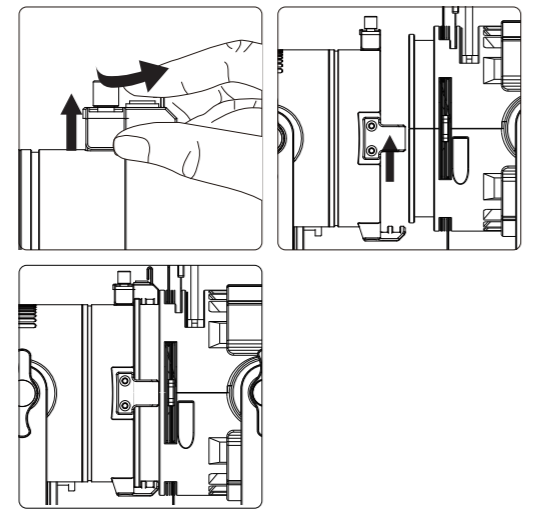


Installations

1. Mount the Spotlight Mini Zoom on a Baby Pin (16mm / 5/8 inch) spigot, and use the tie-down screw to lock it securely in place.



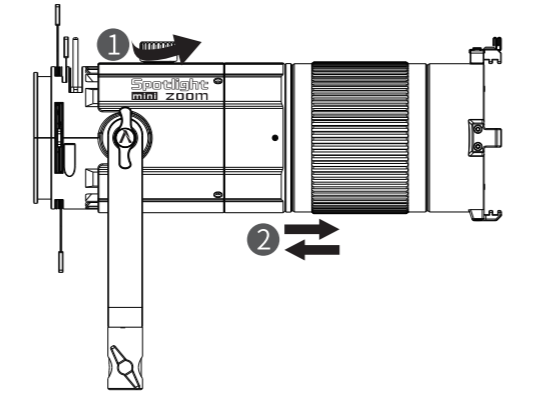
2. Open the top latch on the LS 60d/x by pulling forward the locking tab and turning it to the side. Then, using the accessory slot of the LS 60d/x, mount it onto the bayonet of the Spotlight Mini Zoom, and then close the top latch and re-insert the locking tab.



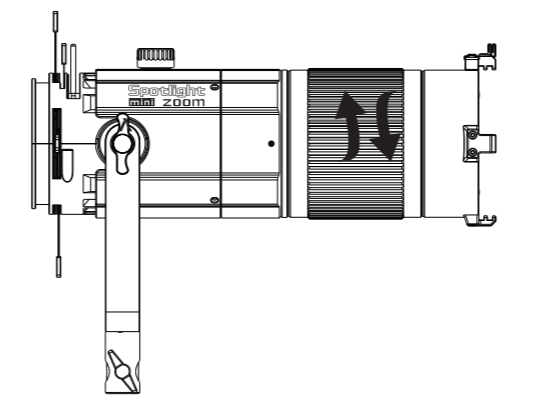
* For optimal results, set the LS 60d or 60x to spot mode (narrow beam angle), in order to achieve an even field of illumination.

3. Adjust the Illumination Circle of the Spotlight Mini Zoom

To adjust the clarity or focus of the Spotlight Mini Zoom, loosen the locking knob on the top of the unit, and move the lens tube forward and backward until the output is at the desired level of clarity. Then tighten the Locking Focus Knob to secure the tube in place.

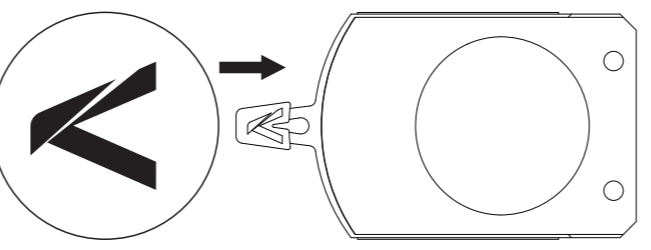


You can zoom or adjust the size of the illumination circle by rotating the barrel of the zoom ring.

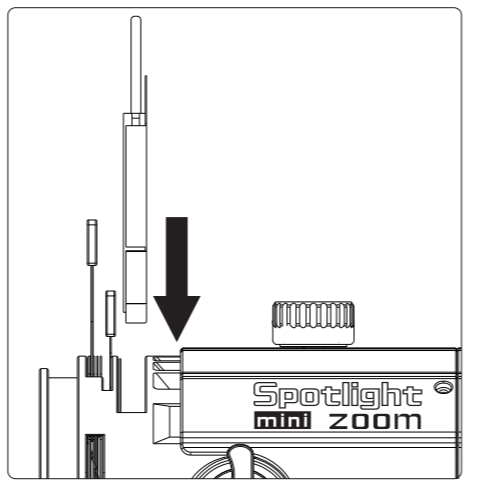


4. Using a Gobo or Iris with the Spotlight Mini Zoom

Insert an M-Size GOBO into the included GOBO holder, and proceed to insert the GOBO holder into the GOBO Slot.



Insert the Iris into the Iris Slot.



Specifications

1. Photometrics with an LS 60d

Distance	CCT	Focusing State	Beam Diameter(cm)	Brightness(lx)
1 m	5600K	30°	60	3250
		15°	30	14400
30°		170	430	
15°		85	1660	
3 m	5600K	30°	280	160
		15°	140	610

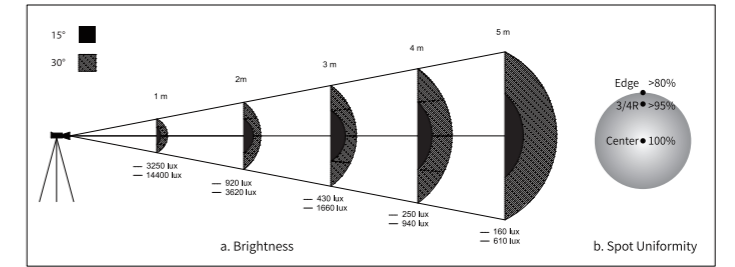
2. Photometrics with an LS 60x

Distance	CCT	Focusing State	Beam Diameter(cm)	Brightness(lx)
1 m	2700K	30°	60	1780
		15°	30	7860
	3200K	30°	60	2200
		15°	30	9690
	4300K	30°	60	2280
		15°	30	10030
3 m	2700K	30°	60	2420
		15°	30	10640
	3200K	30°	60	2350
		15°	30	10330
	4300K	30°	170	240
		15°	85	910
5600K	30°	170	300	
	15°	85	1125	
6500K	30°	170	310	
	15°	85	1170	
3 m	2700K	30°	170	330
		15°	85	1240
	3200K	30°	170	320
		15°	85	1200

Distance	CCT	Focusing State	Beam Diameter(cm)	Brightness(lx)
5 m	2700K	30°	280	90
		15°	140	335
	3200K	30°	280	110
		15°	140	415
	4300K	30°	280	115
		15°	140	430
5600K	30°	280	120	
	15°	140	460	
6500K	30°	280	120	
	15°	140	440	

* This is an averaged result, the number might be slightly different on each light.

Distribution of brightness and spot uniformity (LS 60d)



Size & Weight

Product Dimensions	378*124*264mm/ 14.9* 4.9*10.4in
Carrying Case Dimensions	475*295*255mm/18.7*11.6* 10in
Product Weight	4.4kg/ 9.7lbs

Detailed product manual for Spotlight Mini Zoom can be found on www.aputure.com.



Serial No.	
Item Name	
Purchase Date	
Buyer Name	
Buyer Phone	
Buyer Add	
Franchiser Seal	

Aputure® GUARANTEE CARD

Service Warranty (EN)

Aputure Imaging Industries Co., Ltd. warrants the original consumer purchaser from defects in material and workmanship for a period of one (1) year after the date of purchase. For more details of warranty visit www.aputure.com.

Important: Keep your original sales receipt. Be sure the dealer has written on it the date, serial No. of the product. This information is required for warranty service.

This warranty does not cover:

- Damage that is the result of misuse, abuse, accident (including but not limited to damage by water), faulty connection, defective or maladjusted associated equipment, or the use of the product with equipment for which it was not intended.
- Cosmetic defects that appear more than thirty (30) days after the date of purchase. Cosmetic damage caused by improper handling is also excluded.
- Damage that occurs while the product is being shipped to whoever will service it.

This warranty is void if:

- The product identification or serial No. label is removed or defaced in any way.
- The product is serviced or repaired by any one other than Aputure or an authorized Aputure dealer or service agency.

Aputure Imaging Industries Co., Ltd.
 Add: F3, Building 21, Longjun Industrial Estate,
 Heping West Road, Shenzhen, Guangdong
 E-MAIL: cs@aputure.com
 Sales Contact: (86)0755-83285569-613